

A
B
CL
D
E
F
G
H
I
J
K
L
M

SECTION CL
CLUTCH

CONTENTS

PRECAUTIONS	2	INSTALLATION	10	
Precautions	2	Disassembly and Assembly	11	
PREPARATION	3	DISASSEMBLY	11	
Special Service Tools	3	INSPECTION AFTER DISASSEMBLY	11	
Commercial Service Tools	3	ASSEMBLY	11	
NOISE, VIBRATION, AND HARSHNESS (NVH)		CLUTCH PIPING	12	
TROUBLESHOOTING	4	Removal and Installation	12	
NVH TROUBLESHOOTING CHART	4	REMOVAL	12	
CLUTCH PEDAL	5	INSTALLATION	12	
Components	5	CLUTCH RELEASE MECHANISM	13	
Removal and Installation	5	Removal and Installation	13	
REMOVAL	5	REMOVAL	13	
INSPECTION AFTER REMOVAL	5	INSPECTION AFTER REMOVAL	13	
INSTALLATION	5	INSTALLATION	13	
On-vehicle Inspection and Adjustment	6	CLUTCH DISC, CLUTCH COVER AND FLYWHEEL..	15	
CLUTCH FLUID	7	Removal and Installation	15	
Air Bleeding Procedure	7	REMOVAL	15	
CLUTCH MASTER CYLINDER	8	INSTALLATION	15	
Removal and Installation	8	Inspection and Adjustment after Removal	16	
REMOVAL	8	CLUTCH DISC	16	
INSTALLATION	8	CLUTCH COVER	16	
Disassembly and Assembly	9	FLYWHEEL	16	
DISASSEMBLY	9	SERVICE DATA AND SPECIFICATIONS (SDS)	17	
INSPECTION AFTER DISASSEMBLY	9	Clutch Control System	17	
ASSEMBLY	9	Clutch Master Cylinder	17	
OPERATING CYLINDER	10	Clutch Operating Cylinder	17	
Removal and Installation	10	Clutch Disc	17	
REMOVAL	10	Clutch Cover	17	
		Clutch Pedal	17	

PRECAUTIONS

PRECAUTIONS

PFP:00001

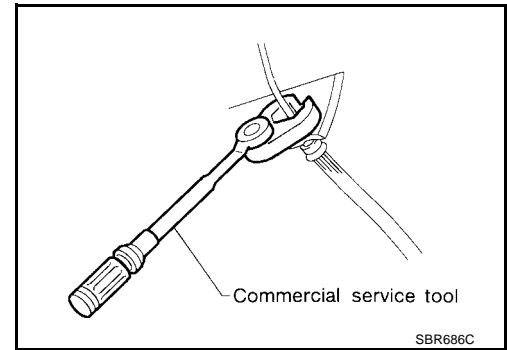
Precautions

ECS006JC

- Recommended fluid is brake fluid “DOT 3”.
- Never reuse drained brake fluid.
- Be careful not to splash brake fluid on painted areas.
- When removing and installing clutch piping, use Tool.
- Use new brake fluid to clean or wash all parts of master cylinder and operating cylinder.
- Never use mineral oils such as gasoline or kerosene. It will ruin the rubber parts of the hydraulic system.

WARNING:

After cleaning clutch disc, wipe it with a dust collector. Do not use compressed air.



PREPARATION

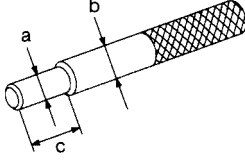
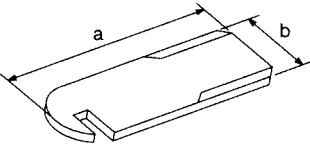
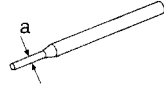
PREPARATION

PFP:00002

Special Service Tools

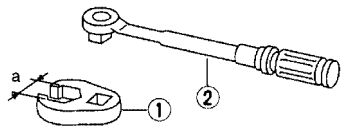
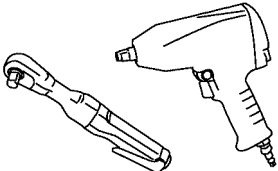
ECS006JD

The actual shapes of Kent-Moore tools may differ from those of special service tools illustrated here.

Tool number (Kent-Moore No.) Tool name	Description
ST20630000 (J26366) Clutch aligning bar	 <p>Installing clutch cover and clutch disc a: 15.8 mm (0.622 in) dia. b: 22.9 mm (0.902 in) dia. c: 45.0 mm (1.772 in)</p> <p style="text-align: right;">NT405</p>
ST20050240 (—) Diaphragm spring adjusting wrench	 <p>Adjusting unevenness of diaphragm spring of clutch cover a: 150 mm (5.91 in) b: 25 mm (0.98 in)</p> <p style="text-align: right;">NT404</p>
KV32101000 (J25689-A) Pin punch	 <p>Removing and installing spring pin a: 4 mm (0.16 in) dia.</p> <p style="text-align: right;">NT410</p>

Commercial Service Tools

ECS006JE

Tool name	Description
1 Flare nut crowfoot 2 Torque wrench	 <p>Removing and installing clutch piping a: 10 mm (0.39 in)</p> <p style="text-align: right;">NT360</p>
Power tool	 <p>Loosening bolts and nuts</p> <p style="text-align: right;">PBIC0190E</p>

NOISE, VIBRATION, AND HARSHNESS (NVH) TROUBLESHOOTING

NOISE, VIBRATION, AND HARSHNESS (NVH) TROUBLESHOOTING

PF0:00003

NVH TROUBLESHOOTING CHART

ECS006JF

Use the chart below to help you find the cause of the symptom. The numbers indicate the order of the inspection. If necessary, repair or replace these parts.

Symptom		SUSPECTED PARTS (Possible cause)																Reference page				
		CLUTCH PEDAL (Inspection and adjustment)	CLUTCH LINE (Air in line)	MASTER CYLINDER PISTON CUP (Damaged)	OPERATING CYLINDER PISTON CUP (Damaged)	ENGINE MOUNTING (Loose)	RELEASE BEARING (Worn, dirty or damaged)	CLUTCH DISC (Out of true)	CLUTCH DISC (Runout is excessive)	CLUTCH DISC (Lining broken)	CLUTCH DISC (Dirty or burned)	CLUTCH DISC (Oily)	CLUTCH DISC (Worn out)	CLUTCH DISC (Hardened)	CLUTCH DISC (Lack of spline grease)	DIAPHRAGM SPRING (Damaged)	DIAPHRAGM SPRING (Out of tip alignment)		PRESSURE PLATE (Distortion)	FLYWHEEL (Distortion)		
Symptom	Clutch grabs/chatters					1															CL-6	
	Clutch pedal spongy		1	2	2																	CL-7
	Clutch noisy						1															CL-9
	Clutch slips	1										2	2				3		4	5		CL-11
	Clutch does not disengage	1	2	3	4				5	5	5	5	5		5	6	6	7				EM-113, "Removal and Installation"
																						CL-13
																						CL-16
																						CL-16
																						CL-16
																						CL-16
																						CL-16
																						CL-16, "FLYWHEEL"

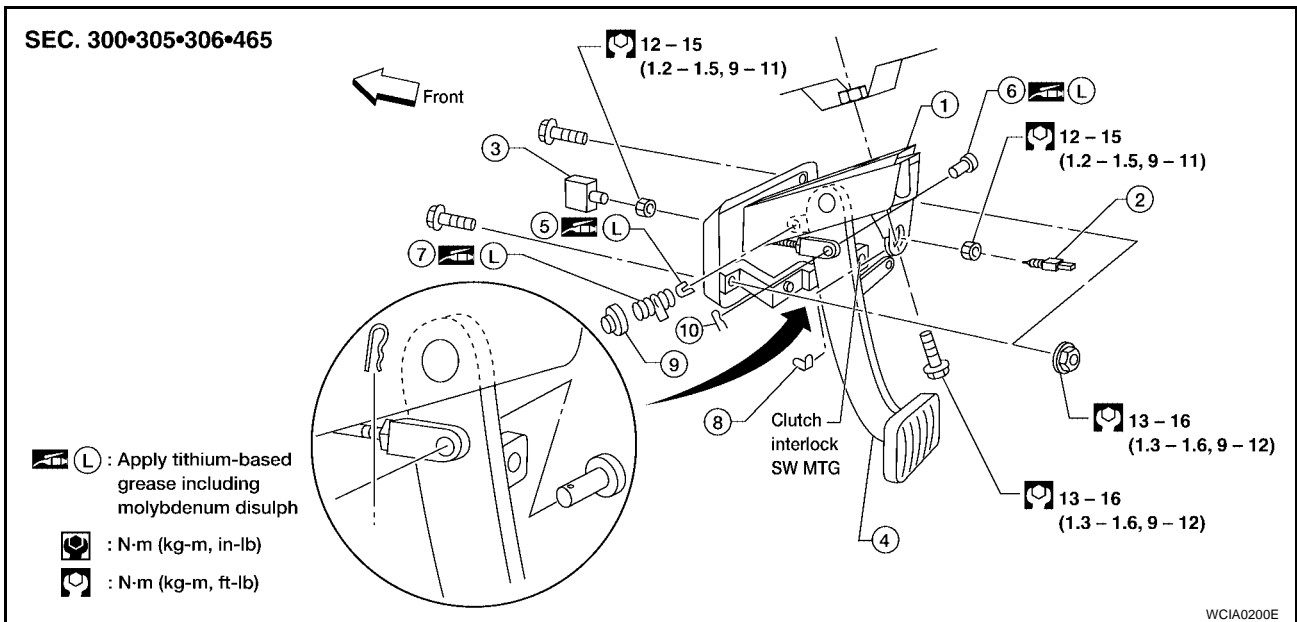
CLUTCH PEDAL

PF:46540

ECS006JG

CLUTCH PEDAL

Components



- | | | |
|-------------------------|-----------------------|----------------------------|
| 1. Clutch pedal bracket | 2. ASCD clutch switch | 3. Clutch interlock switch |
| 4. Clutch pedal | 5. Bushing | 6. Clevis pin |
| 7. Assist spring | 8. Stopper rubber | 9. Bush |
| 10. Snap pin | | |

Removal and Installation

REMOVAL

1. Remove the driver side lower instrument panel. Refer to [IP-14, "Lower Driver Instrument Panel"](#).
2. Disconnect the ASCD clutch switch and the clutch interlock switch. Refer to [PG-61, "HARNESS CONNECTOR"](#).
3. Remove the clutch pedal clevis pin.
4. Remove clutch pedal assembly mounting bolts and nuts.
5. Remove clutch pedal assembly.

INSPECTION AFTER REMOVAL

- Inspect for clutch bending, damage and welding cracks. Replace if necessary.
- Make sure that the assist spring and return spring have not lost their spring. Replace if necessary.

INSTALLATION

Installation is in the reverse order of removal.

- After installation, refer to [CL-6, "On-vehicle Inspection and Adjustment"](#).

CLUTCH PEDAL

ECS006/JI

On-vehicle Inspection and Adjustment

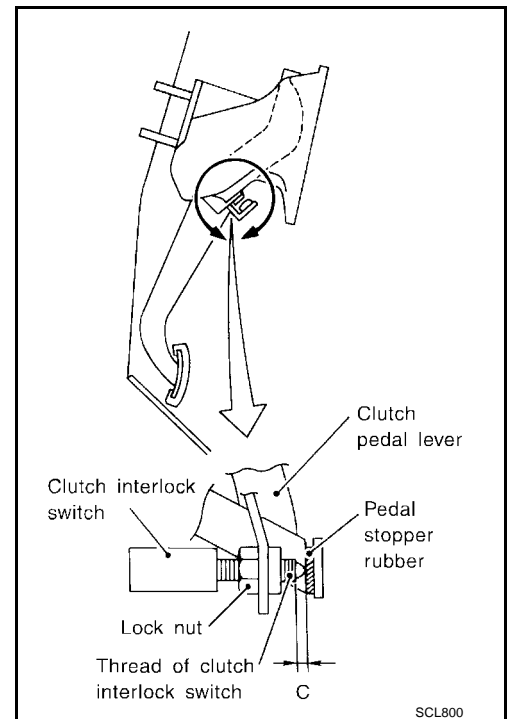
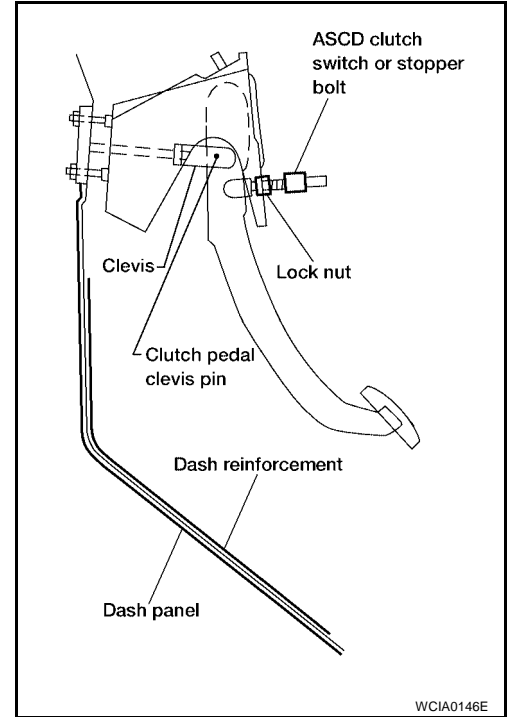
1. Check to see if the clutch pedal clevis pin floats freely in the bore of the clutch pedal. It should not be bound by the clevis or clutch pedal.
 - a. If the pin is not free, check that the ASCD switch or pedal stopper bolt is not applying pressure to the clutch pedal causing the pin to bind. To adjust, loosen the ASCD switch or pedal stopper bolt lock nut and turn the ASCD switch or pedal stopper bolt.
 - b. Tighten the lock nut.
 - c. Verify that the clutch pedal clevis pin floats freely in the bore of the clutch pedal. It should not be bound by the clevis or clutch pedal.
 - d. If the pin is still not free, remove the pin and check for deformation or damage. Replace the pin if necessary. Leave the pin removed for step 2.
2. Check the clutch pedal stroke for free range of movement.
 - a. With the clutch pedal clevis pin removed, manually move the pedal up and down to determine if it moves freely.
 - b. If any sticking is noted, replace the related parts (clutch pedal, pedal bracket, assist spring and bushing). Reassemble the pedal and re-verify that the clevis pin floats freely in the bore of the pedal.
3. Adjust the clearance "C" while fully depressing the clutch pedal (with the clutch interlock switch) as shown.

Clearance "C" : 0.1 – 1.0 mm (0.004 – 0.039 in)

4. Check the clutch hydraulic system components (clutch master cylinder, clutch operating cylinder, clutch withdrawal lever, clutch release bearing, etc.) for sticking or binding.
 - a. If any sticking or binding is noted, repair or replace the related parts as necessary.
 - b. If any hydraulic system repair was necessary, bleed the clutch hydraulic system. Refer to [CL-7, "Air Bleeding Procedure"](#).

NOTE:

Do not use a vacuum assist or any other type of power bleeder on this system. Use of a vacuum assist or power bleeder will not purge all of the air from the system.



CLUTCH FLUID

CLUTCH FLUID

PFP:00017

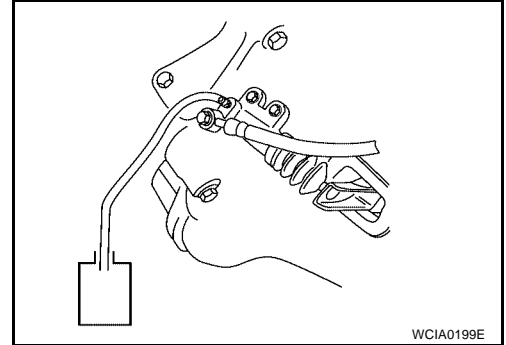
Air Bleeding Procedure

ECS006JJ

NOTE:

Do not use a vacuum assist or any other type of power bleeder on this system. Use of a vacuum assist or power bleeder will not purge all the air from the system.

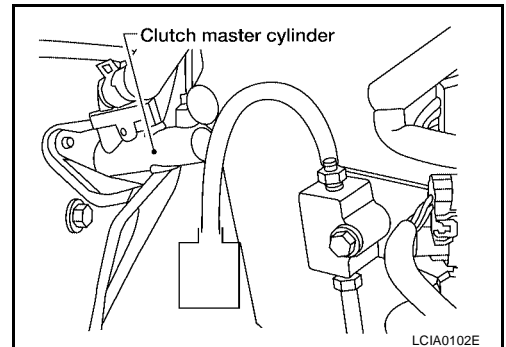
- Bleed air according to the following procedure.
 - Carefully monitor fluid level at reservoir tank during bleeding operation.
 - When bleeding the air from the clutch fluid, first bleed the air from the operating cylinder air bleed valve and then from the bleed connector air bleed valve.
1. Top off reservoir with new recommended brake fluid.
 2. Connect a transparent vinyl tube and container to the air bleeder valve on the clutch operating cylinder.



3. Fully depress the clutch pedal several times.
4. With clutch pedal depressed, open the bleeder valve to release air.
5. Close the bleeder valve.
6. Repeat steps 3 through 5 until clear brake fluid comes out of the air bleeder valve.

Air bleeder valve : 5.9 – 9.8 N·m (0.6 – 1.0 kg·m, 52 – 87 in·lb)

7. Perform steps 1 through 6 for bleeding air from the air bleeder valve on the bleed connector.



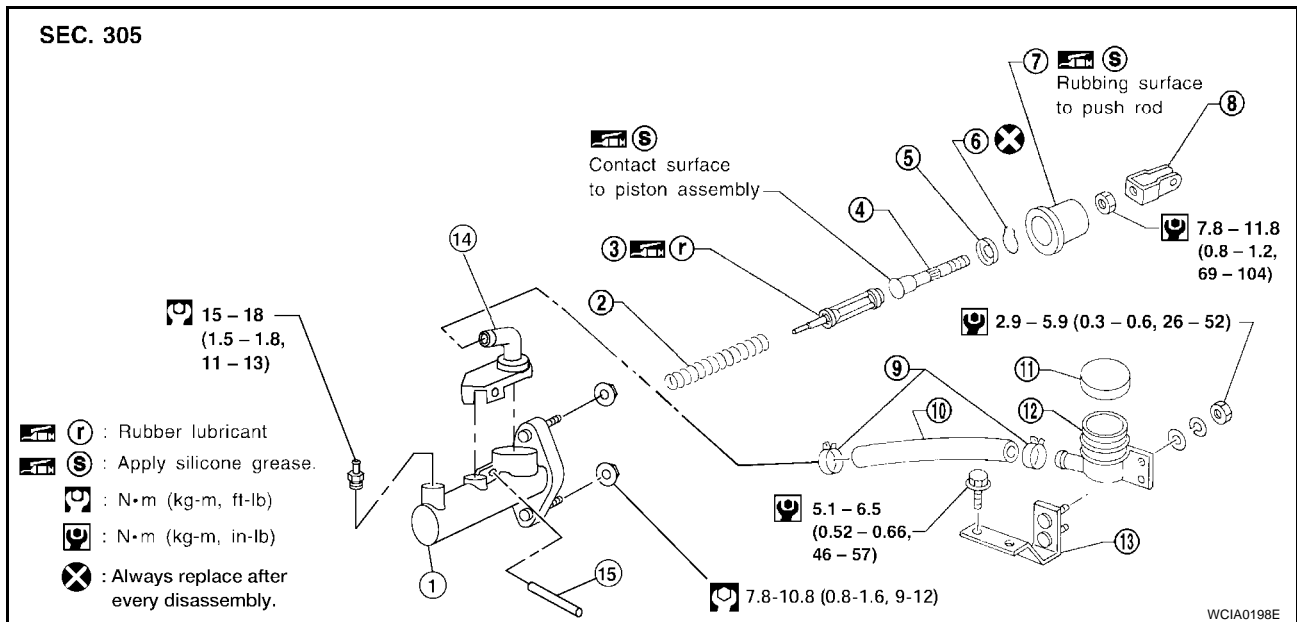
CLUTCH MASTER CYLINDER

PFP:30610

CLUTCH MASTER CYLINDER

Removal and Installation

ECS006JK



- | | | |
|---------------------------|-------------------|--------------------|
| 1. Clutch master cylinder | 2. Return spring | 3. Piston assembly |
| 4. Push rod | 5. Stopper | 6. Stopper ring |
| 7. Dust cover | 8. Clevis | 9. Hose clamp |
| 10. Hose | 11. Reservoir cap | 12. Reservoir tank |
| 13. Bracket | 14. Nipple | 15. Pin |

REMOVAL

1. Drain the brake fluid from the clutch hydraulic system.

CAUTION:

Do not to splash brake fluid on painted areas; it may cause paint damage. If brake fluid is splashed on painted areas, wash it away with water immediately.

2. Remove clutch tube using a flare nut wrench.
3. Remove snap pin between clutch pedal and push rod, and remove clevis pin.
4. Remove the clutch master cylinder mounting nuts and reservoir tank bracket mounting bolts to remove the clutch master cylinder.

INSTALLATION

1. Connect the clutch tube to the master cylinder assembly, and hand-tighten the flare nut.
2. Install the master cylinder assembly, and tighten the nuts to specification.

Clutch master cylinder nuts : 7.8 – 10.8 N·m (0.8 – 1.1 kg-m, 69 – 95 in-lb)

3. Install the clutch reservoir tank and bracket, tighten the reservoir tank and bracket nuts and bolts to specification.

Reservoir tank bracket bolts : 5.1 – 6.5 N·m (0.52 – 0.66 kg-m, 45.1 – 57.3 in-lb)

Reservoir tank to bracket nuts : 2.9 – 5.9 N·m (0.3 – 0.6 kg-m, 26 – 52 in-lb)

4. Tighten the clutch tube flare nut to specification using a flare nut torque wrench.

Clutch tube flare nut : 15 – 18 N·m (1.5 – 1.8 kg-m, 11 – 13 ft-lb)

5. After installing the clevis pin, install the snap pin to connect the clutch pedal to the push rod. Then bleed the air from the clutch hydraulic system. Refer to [CL-7, "Air Bleeding Procedure"](#).

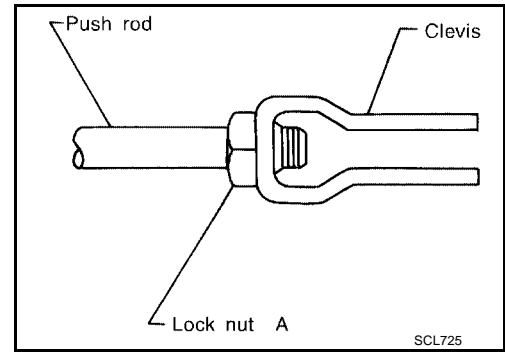
CLUTCH MASTER CYLINDER

Disassembly and Assembly

ECS006JL

DISASSEMBLY

1. Loosen the push rod lock nut "A" to remove clevis and lock nut "A".
2. Remove the dust cover.
3. Remove the stopper ring and stopper, and remove the push rod from the cylinder body. During removal, keep the push rod depressed, to prevent the piston inside master cylinder from popping out.
4. Remove the piston assembly from the cylinder body.



INSPECTION AFTER DISASSEMBLY

Inspect for the following, and replace parts as necessary.

- Damage, wear, rust, and pinholes on the cylinder inner wall
- Damage and deformation of the reservoir tank
- Weak spring
- Crack and deformation of the dust cover

ASSEMBLY

1. Apply rubber lubricant to the sliding part of piston assembly, and insert piston assembly.
2. After installing stopper to push rod, install a new stopper ring while keeping piston assembly depressed by hand, so that piston assembly will not pop out.

CAUTION:

Stopper ring cannot be reused. Always use a new stopper ring to assemble.

3. Install dust cover.
4. Install clevis to push rod, and tighten lock nut "A" to specification.

Lock nut "A" tightening torque : 7.8 – 11.8 N·m (0.8 – 1.2 kg·m, 69 – 104 in·lb)

5. Install seal and nipple to cylinder body.

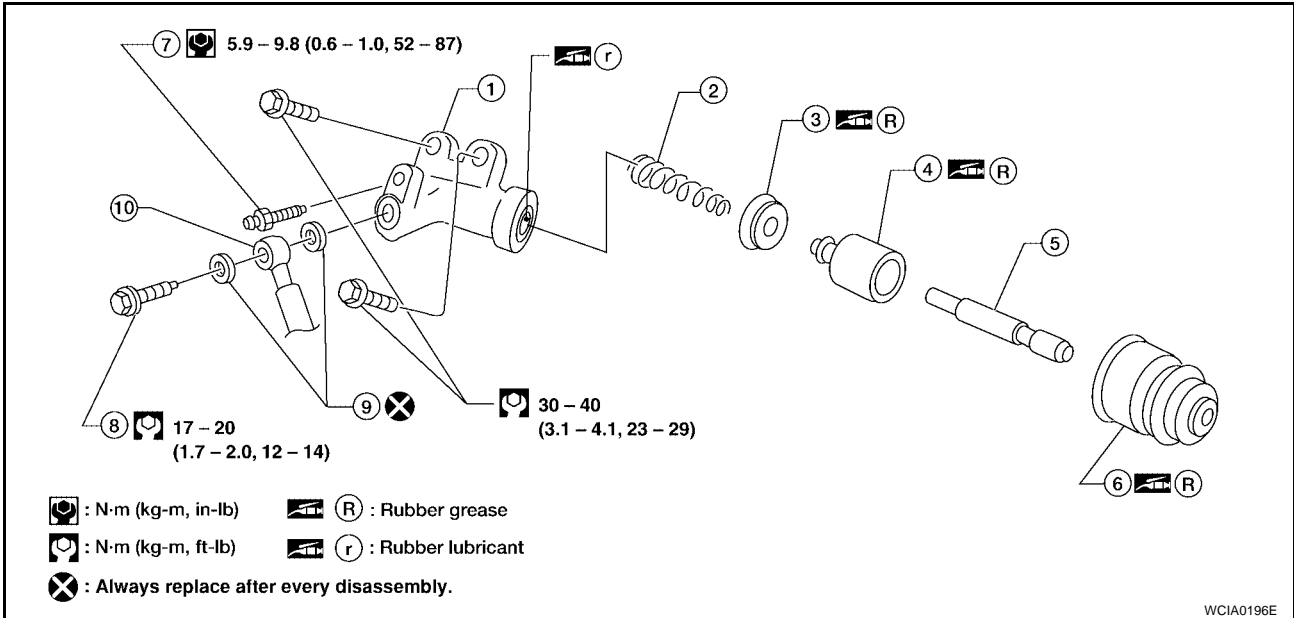
A
B
CL
D
E
F
G
H
I
J
K
L
M

OPERATING CYLINDER

PF3:30620

ECS006JM

OPERATING CYLINDER Removal and Installation



- | | | |
|------------------|------------------|------------------|
| 1. Cylinder body | 2. Piston spring | 3. Piston cup |
| 4. Piston | 5. Push rod | 6. Dust cover |
| 7. Air bleeder | 8. Union bolt | 9. Copper washer |
| 10. Clutch hose | | |

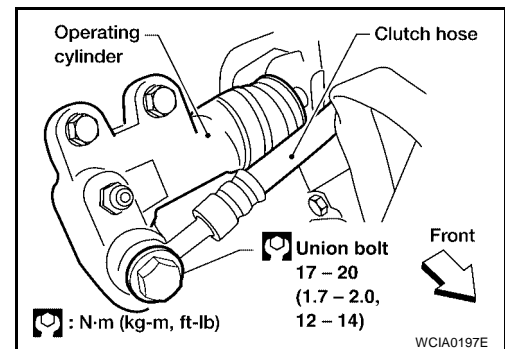
REMOVAL

1. Drain brake fluid from hydraulic clutch system.

CAUTION:

Do not to splash brake fluid on painted areas; it may cause paint damage. If brake fluid is splashed on painted areas, wash it away with water immediately.

2. Remove union bolt and clutch hose from operating cylinder.
3. Remove operating cylinder mounting bolts, and remove cylinder from vehicle.



INSTALLATION

Installation is in the reverse order of removal.

CAUTION:

- Install the clutch hose without twisting it.
- The copper washer of the union bolt cannot be reused. Always use a new copper washer when installing the clutch hose.
- After installation, bleed the air from the clutch hydraulic system. Refer to [CL-7. "Air Bleeding Procedure"](#).

OPERATING CYLINDER

Disassembly and Assembly

ECS006JN

DISASSEMBLY

- Remove dust cover, and remove piston assembly from cylinder body.

INSPECTION AFTER DISASSEMBLY

Inspect for following, and replace parts as necessary.

- Damage, foreign material, wear, rust, and pinholes on the cylinder inner surface, piston, and sliding part of piston cup
- Weak spring
- Crack and deformation of dust cover

ASSEMBLY

Assembly is in the reverse order of disassembly.

- Apply recommended rubber grease to piston cup and piston before assembly.

A

B

CL

D

E

F

G

H

I

J

K

L

M

CLUTCH PIPING

PF3:30650

ECS006JO

CLUTCH PIPING

Removal and Installation

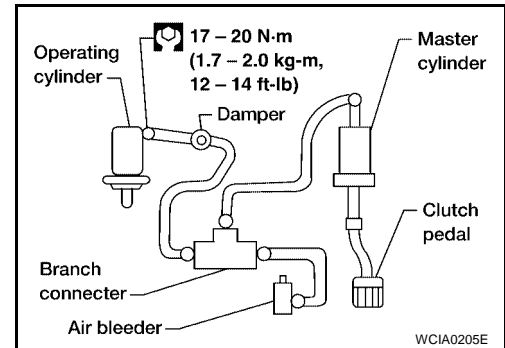
REMOVAL

1. Remove fuel filter mounting bracket.
2. Remove air cleaner and air duct. Refer to [EM-15, "Removal and Installation"](#).
3. Drain the brake fluid from the hydraulic clutch system.

CAUTION:

Do not to splash brake fluid on painted areas; it may cause paint damage. If brake fluid is splashed on painted areas, wash it away with water immediately.

4. Remove flare nut using a flare nut wrench.
5. Remove clutch hose and clutch tube.

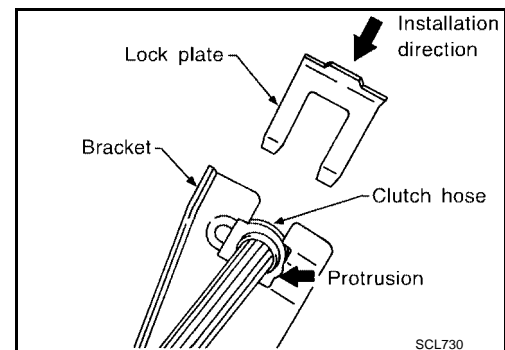


INSTALLATION

1. When installing clutch hose to bracket, face lock plate in the correct direction as shown to secure clutch hose.

CAUTION:

Install clutch hose without twisting or bending it.



2. Tighten flare nut to the specification, using a flare nut wrench.

Flare nut : 15 – 18 N·m (1.5 – 1.8 kg·m, 11 – 13 ft·lb)

CAUTION:

Be careful not to damage flare nut and clutch tube.

3. Install clutch hose to operating cylinder, and tighten the union bolt to the specification.

Clutch hose union bolt : 17 – 20 N·m (1.7 – 2.0 kg·m, 12 – 14 ft·lb)

4. After installation, bleed the air from the clutch hydraulic system. Refer to [CL-7, "Air Bleeding Procedure"](#).

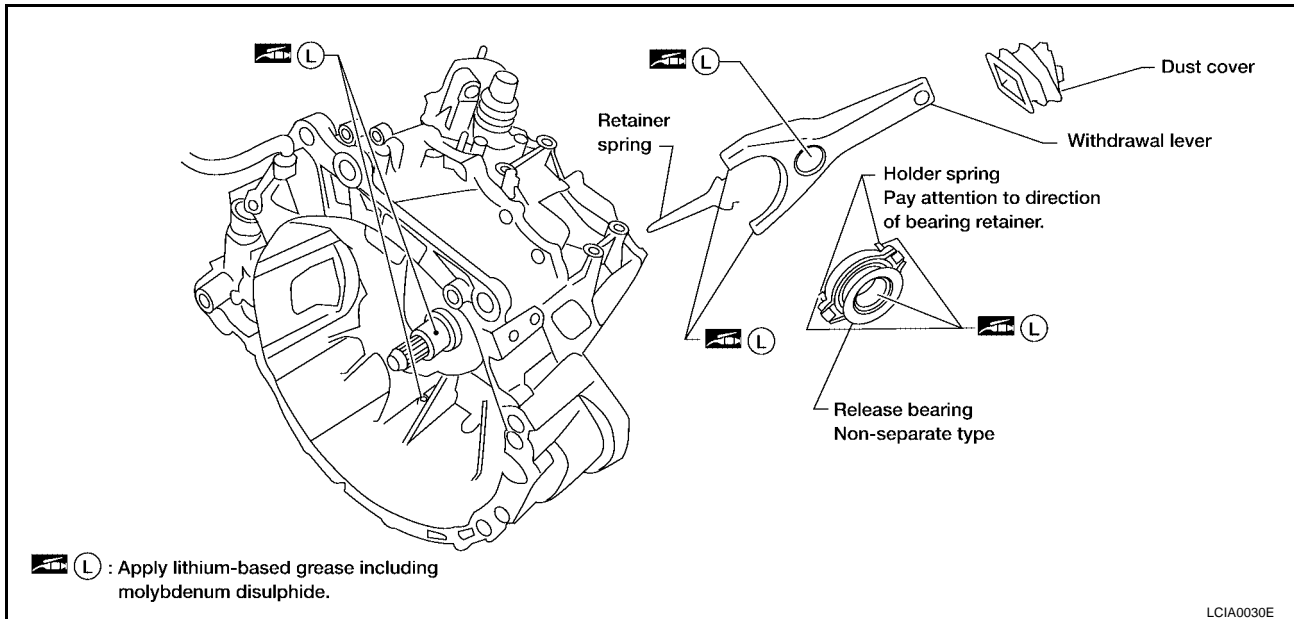
CLUTCH RELEASE MECHANISM

PFP:30502

CLUTCH RELEASE MECHANISM

Removal and Installation

ECS006JP

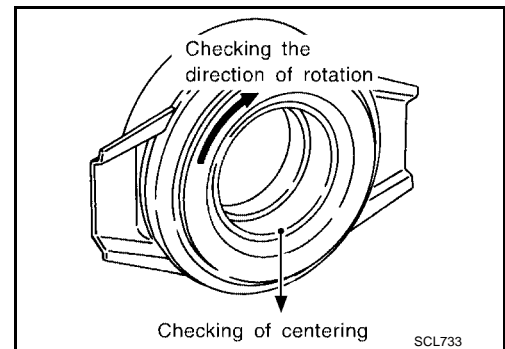


REMOVAL

1. Remove manual transaxle from vehicle. Refer to [MT-16, "Removal and Installation"](#).
2. Move withdrawal lever enough to remove release bearing from input shaft, then remove release bearing from withdrawal lever.
3. Remove withdrawal lever retainer spring.
4. Pull out withdrawal lever and remove dust cover.

INSPECTION AFTER REMOVAL

- Replace the release bearing if it is seized, damaged, faulty in rotation direction, or has poor aligning function.
- Replace the withdrawal lever if its contact surface is worn abnormally.
- Replace the dust seal if it is deformed or cracked.

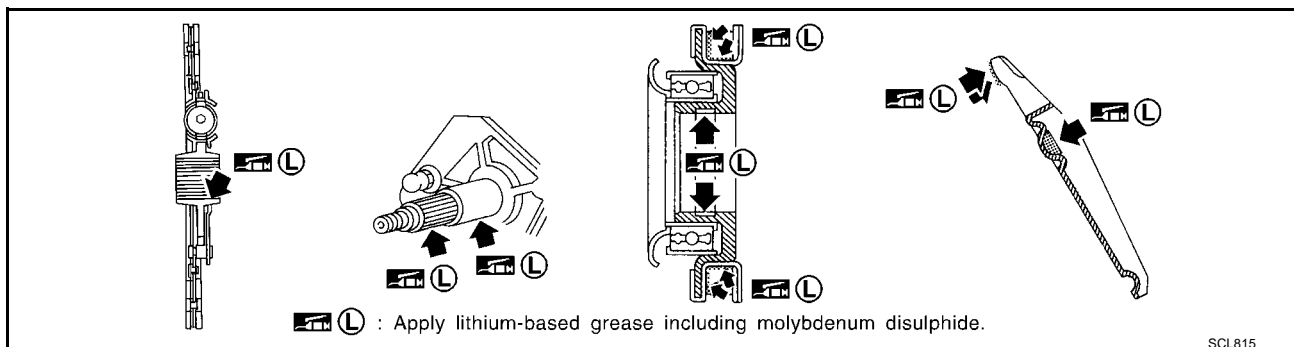


INSTALLATION

1. Installation is in the reverse order of removal.

NOTE:

- Clean old grease and abrasive materials off the grease application areas.



CLUTCH RELEASE MECHANISM

- Apply approximately 1 mm (0.04 in) thick coat of clutch sleeve grease to withdrawal lever and holder spring frictional surfaces.
- Apply a coat of clutch sleeve grease to the grooves on contact surfaces of the withdrawal lever ball pin and inner surface of release bearing; make sure that grease is flush with grooves.
- Apply a thin coat of clutch sleeve grease to release bearing frictional surface. After grease application, install release bearing. Wipe off excess grease forced out during bearing installation.

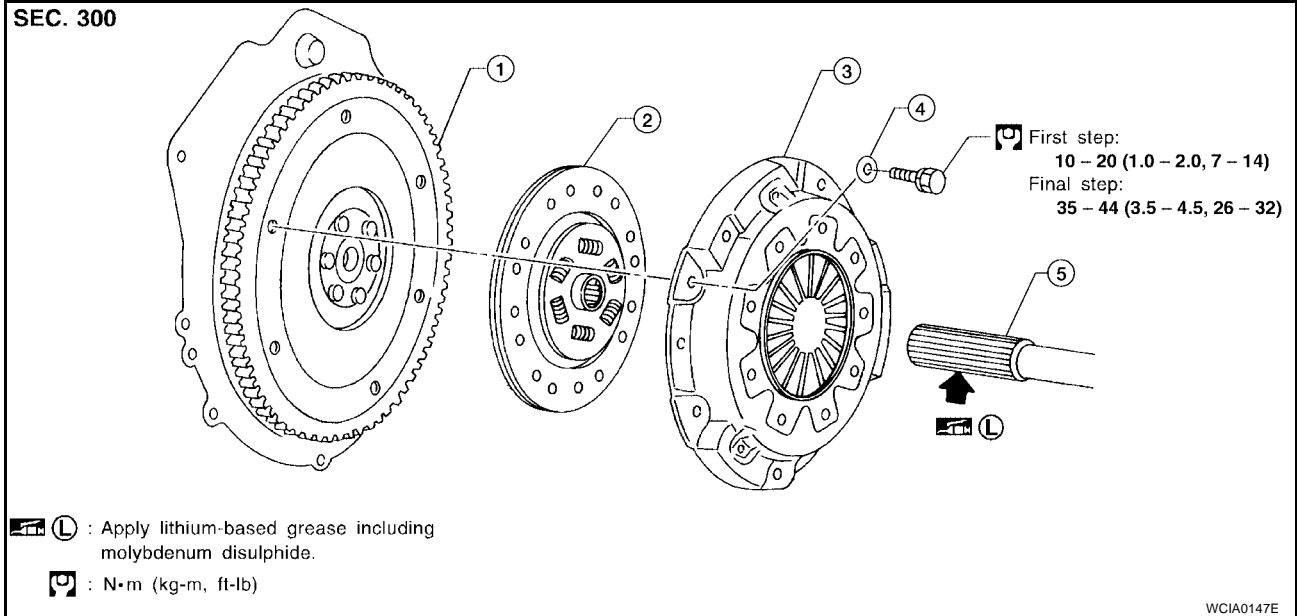
CLUTCH DISC, CLUTCH COVER AND FLYWHEEL

CLUTCH DISC, CLUTCH COVER AND FLYWHEEL

PF30100

Removal and Installation

ECS006JQ



1. Flywheel
2. Clutch disc
3. Clutch cover
4. Washer
5. Main drive shaft

CAUTION:

- Do not clean the clutch disc with solvent.
- When installing, do not get grease from the main drive shaft onto the clutch disc friction surface.

REMOVAL

1. Remove the manual transaxle from the vehicle. Refer to [MT-16, "Removal and Installation"](#).
2. Evenly loosen the bolts holding the clutch cover, using power tool. Then remove the clutch cover and the clutch disc.

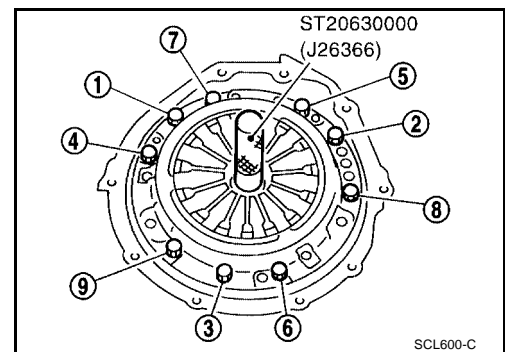
INSTALLATION

Installation is in the reverse order of removal.

- Insert Tool into clutch disc hub when installing clutch cover and disc.
- Be careful not to allow grease to contaminate clutch facing.
- Tighten the clutch cover bolts in the numerical order as shown, in two steps.

First step : 10 – 20 N·m (1.0 – 2.0 kg·m, 7 – 14 ft·lb)

Final step : 35 – 44 N·m (3.5 – 4.5 kg·m, 26 – 32 ft·lb)

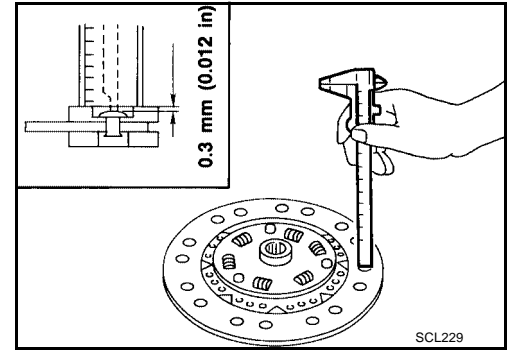


CLUTCH DISC, CLUTCH COVER AND FLYWHEEL

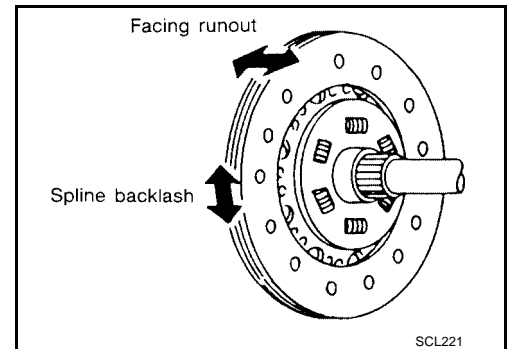
ECS006JR

Inspection and Adjustment after Removal CLUTCH DISC

- Check clutch disc for wear of facing.
Wear limit of facing surface to rivet head : 0.3 mm (0.012 in)

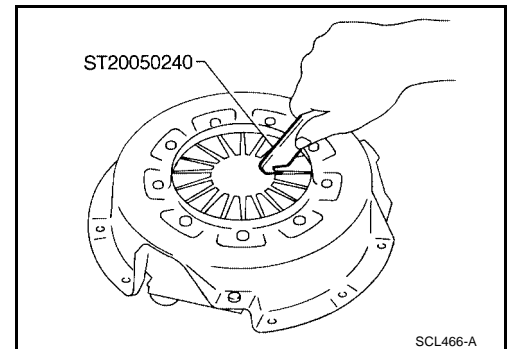


- Check clutch disc for backlash of spline and runout of facing.
Maximum backlash of spline (at outer edge of disc) : 1.0 mm (0.039 in)
Runout limit : 0.7 mm (0.028 in)
Distance of runout check point (from hub center) : 240 mm (9.45 in)
- Check clutch disc for burns, discoloration or oil or grease leakage. Replace if necessary.



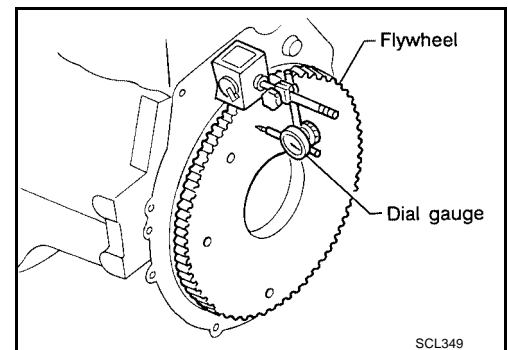
CLUTCH COVER

- Check clutch cover installed on vehicle for unevenness of diaphragm spring toe height.
Uneven limit : 1.0 mm (0.039 in)
- If out of limit, adjust the height using Tool.



FLYWHEEL

- Check contact surface of flywheel for slight burns or discoloration. Repair flywheel with emery paper.
- Check the flywheel runout. Refer to [EM-144, "FLYWHEEL RUNOUT \(M/T\)"](#).



SERVICE DATA AND SPECIFICATIONS (SDS)

SERVICE DATA AND SPECIFICATIONS (SDS)

PDF:00100

Clutch Control System

ECS006JS

Type of clutch control	Hydraulic
------------------------	-----------

Clutch Master Cylinder

ECS006JT

Unit: mm (in)

Inner diameter	15.87 (5/8)
----------------	-------------

Clutch Operating Cylinder

ECS006JU

Unit: mm (in)

Inner diameter	19.05 (3/4)
----------------	-------------

Clutch Disc

ECS006JV

Model	250
Facing size (Outer dia. × inner dia. × thickness)	250 mm × 170 mm × 3.2 mm (9.84 in × 6.69 in × 0.126 in)
Thickness of disc assembly With load	7.4 mm (0.291 in) with 8340 N (851 kg, 6152 lb)
Wear limit of facing surface to rivet head	0.3 mm (0.012 in)
Facing runout limit	0.7 mm (0.028 in)
Distance of runout check point (from the hub center)	240 mm (9.45 in)
Maximum spline backlash (at outer edge of disc)	1.0 mm (0.039 in)

Clutch Cover

ECS006JW

Model	250
Set load	8,340 N (851 kg, 6,152 lb)
Set height	39.5 – 41.5 mm (1.56 – 1.63 in)
Uneven limit of diaphragm spring toe height	1.0 mm (0.039 in)

Clutch Pedal

ECS006JX

Unit: mm (in)

Clearance "C" between pedal stopper rubber and clutch interlock switch threaded end while clutch pedal is fully depressed.	0.1 - 1.0 (0.004 - 0.039)
--	---------------------------

SERVICE DATA AND SPECIFICATIONS (SDS)
